

**INSTRUCTIONS FOR INSTALLING A BASE SUPPORT KIT, P/N 1461029,
IN A NATIONAL VENDORS® SNACKTRON 2™ MERCHANDISER**

This kit contains the following:

Part Number.	Description	Quantity	INSTALLATION	
1461028	Installation Instructions	1	Remove the trays from the Merchandiser and place the cabinet on its back. Remove all four leg assemblies and install the Base Support Plates as shown in Figure 1.	
1172021	1/4-20 Whiz Lock Nut	4		
1461026	Base Support Plate	4		
1461027	.250-20 x 2.25 Hex Head Bolt	4		
4242145	Lower Hinge Thrust Bearing	4		If added support is required, drill holes through the cabinet base and add a bolt, washer, and nut as shown in Figure 2.
6131066	5/8 O.D. x 2.65 I.D. x .048 Washer	4		

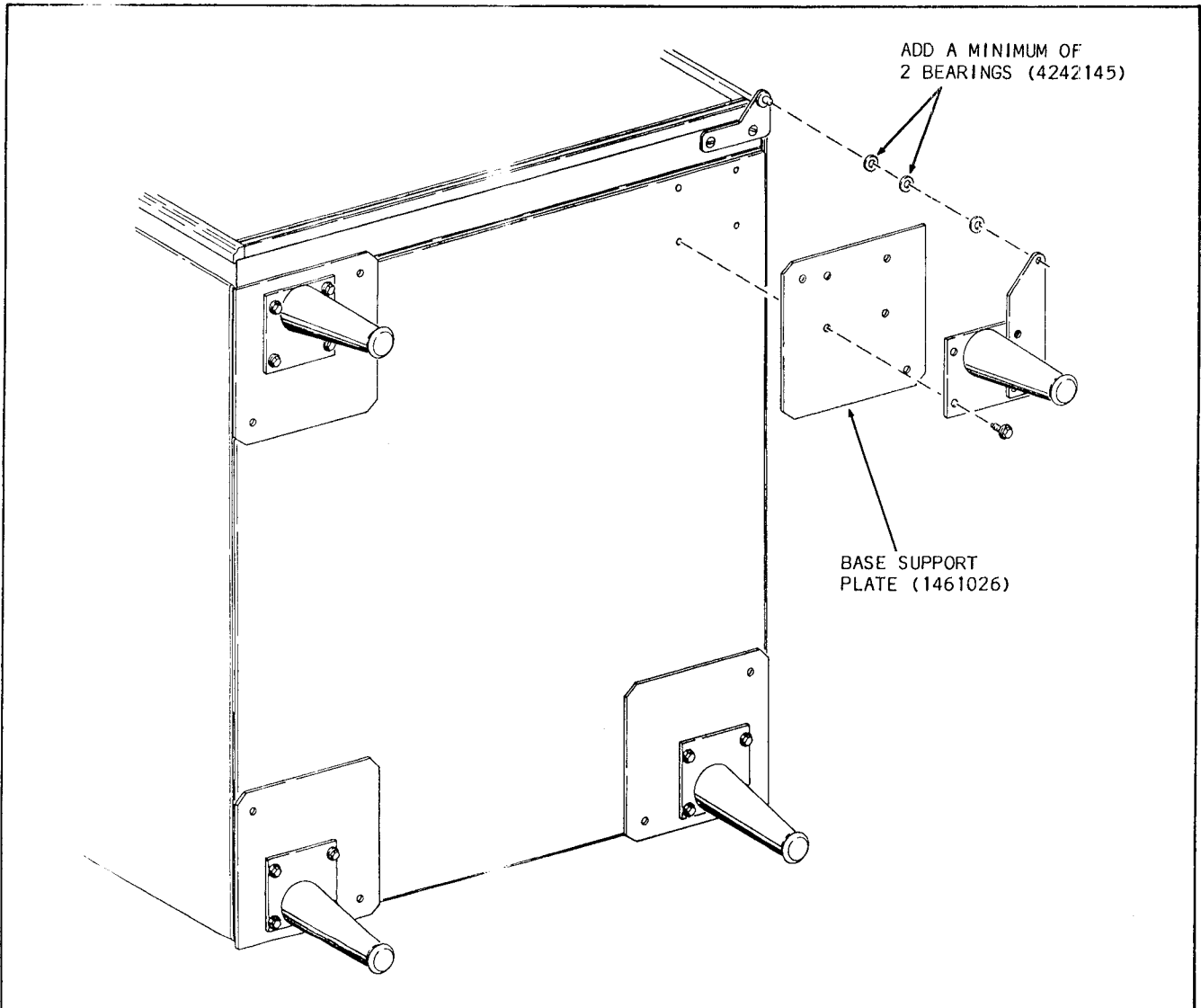


FIGURE 1

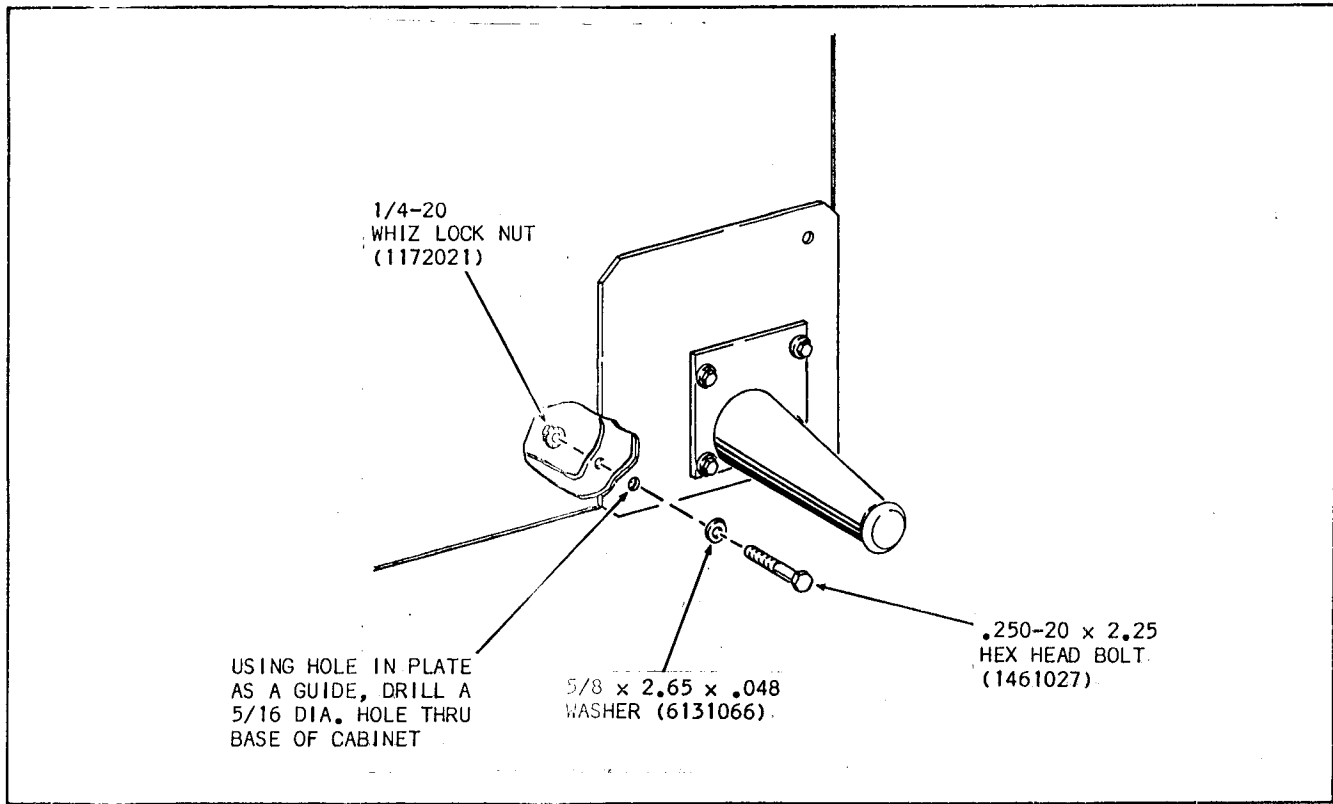


FIGURE 2